



SIRIUS – PID & 4-Gas Detector

[Compact and Versatile – for all your needs]

SIRIUS

[Maximum versatility in one hand]

The new SIRIUS PID Detector combines incredible performance, versatility and ease of use in a single instrument. Robust, durable and lightweight, it can be operated with one hand.



Multi-directional bright LEDs for visible alarm

Detection of VOC, LEL, O₂, CO & H₂S

External PID lamp holder for easy access

Only three buttons, easy to use

Easy-to-read display, all values at one glance

Well-balanced for one-hand operation

Robust but lightweight

Outstanding alarm horn



SIRIUS

Designed as a versatile PID [Photolionisation Detector], SIRIUS can be configured with up to 4 additional sensors. With its real one-hand operation, it is an ideal measuring instrument as well as a personal monitor for a wide range of applications.

Applications:

- Arson Investigation
- Confined Space Monitoring
- Container Leakage Control
- Decontamination Control
- Determining the Level of Protective Equipment
- Fumigation Monitoring
- Leak Detection
- Monitoring Work Place Atmosphere
- Perimeter Monitoring
- Remediation Monitoring
- Spill Monitoring

Product image approximately actual size!

[Versatility]

Features outstanding multi-functional capabilities: simultaneously monitors volatile organic compounds [VOCs] in ppm/ppb-range while measuring combustible gases, oxygen-deficient atmospheres, CO and H₂S.

[Operation]

Lightweight and ergonomically designed to fit in your hand. The real one-hand operation with only 3 push buttons ensures easy and intuitive use.

[Construction]

The durable construction provides superior protection against liquid and dust ingress and performs with utmost reliability in even the harshest industrial environment.

[Display]

Easy-to-read backlit LCD with high level contrast. All readings, alarms and battery run time are shown simultaneously in clear text. For PID measurements the substance name can be displayed.

[Alarm]

A specially-designed acoustic chamber provides a piercing audible warning in the event of an alarm condition. Multi-directional bright LEDs give visual warning. A green "Safe LED" flashing every 15 seconds provides confidence the SIRIUS is actively detecting gas.



[Sensors]

The SIRIUS sensor configuration, including the PID, can be easily user-modified.

PID: Measuring range: up to 2.000 ppm/ppb.

LEL: MSA patented 20 L catalytic sensor, Silicon resistant.

Measuring range: 0–100% LEL.

Ox, CO and H₂S: Electrochemical sensors of proven MSA quality.

[PID Sensor]

MSA's own proprietary PID sensor design [patent-pending] reduces maintenance time and cost of ownership. The excellent PID performance includes humidity resistance, stable zero readings, pre-configured VOCs and fast response. The PID lamp is easily changed with only a twist of the external lamp holder. Plus, the sensor provides easy access to the removable ionization chamber.

[Calibration]

One-button calibration and intelligent software makes calibration simple, with no complicated adjustments.

[Power Supply]

Interchangeable alkaline and Lithium-ion battery packs. Both have a slotted thumb screw for easy change of battery modules even in hazardous areas.

[Approvals]

According to the latest norms as ATEX Directive 94/9/EC.

[Software]

The SIRIUS Datalogging version allows the user to store measurement and event data. All logged data can be downloaded to a computer and displayed in tables and graphs.

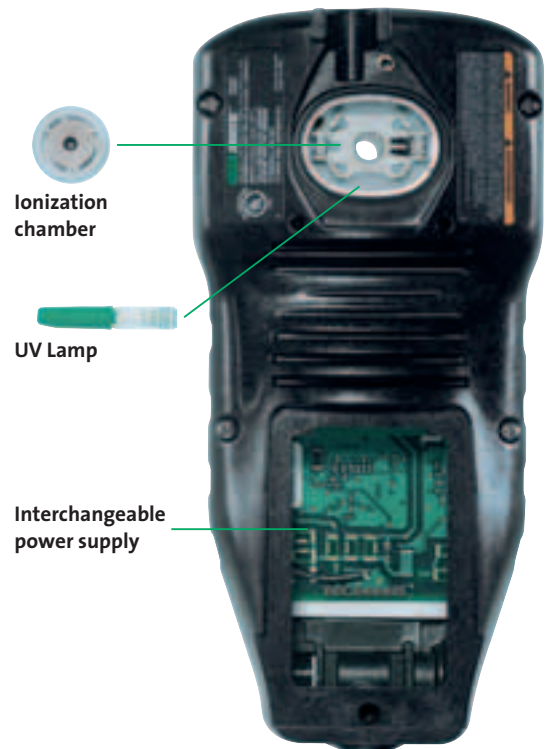
[Accessories]

Extensive accessory range includes battery charger, floating probe and sampling line in customised length up to 30 metres.

[GALAXY]

The GALAXY automated record keeping and calibration test system is a completely stand alone system that does not require a computer or network interface. Up to 10 GALAXY modules can be connected together allowing multiple instruments to be simultaneously tested, calibrated and charged.

Over 1000 individual test records can be stored on an industry standard flash card. An optional wired connection is also available.

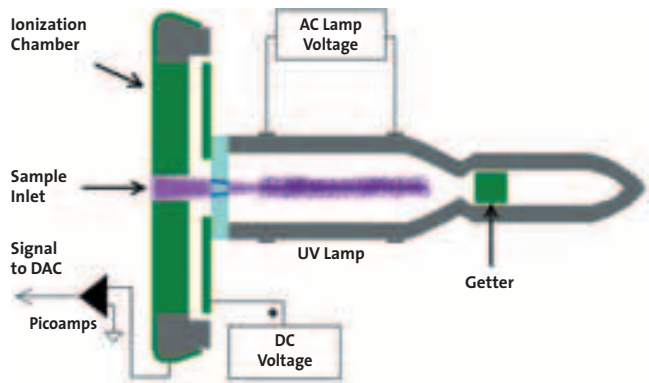


[Specifications]

Gas	Range	Resolution	Alarm [preset]
VOC	0–200 ppm	0.1 ppm	50 & 100 ppm
	200–2000 ppm	1 ppm	STEL 25; TWA 10 ppm
	0–9900 ppb [optional]	100 ppb	
LEL [Combustible]	0–100% LEL	1% LEL or 0.05% CH ₄	10 & 20% LEL
Oxygen	0–25% Vol	0.1% Vol	19.5 & 23.0% Vol
CO	0–500 ppm	1 ppm	35 & 100 ppm STEL 400; TWA 35 ppm
H ₂ S	0–200 ppm	1 ppm	10 & 15 ppm STEL 15; TWA 10 ppm
Weight	500 g [including alkaline battery pack]		
Dimensions	165 x 92 x 66 mm [L x W x D]		
Alarm	Audible – min 90 dB at 30 cm. Visible – LEDs visible at angle of 320°		
Display	Backlit LCD with large, easy-to-read characters. All gases displayed simultaneously		
Battery type	Rechargeable Li-ion battery or alkaline battery pack		
Battery life	Li-ion	>11 h [at 23 °C]	
	Alkaline	> 6 h [at 23 °C]	
Charging	< 6 h with MSA fast charger [100–250 VAC]		
Operating range	0 to 40 °C [normal operation]		
	–20 to 50 °C [extended operation]		
Humidity	0–95% RH [non-condensing] for 8 hours		
Ingress protection	IP 54 minimum		
Warranty	2 years for all components except PID sensor & ion chamber: 1 year [under normal conditions]		
Certification	EN 50014/EN 50018/EN 50019/EN 50020/EN 50104/ EN 50270/EN 50271/EN 61779		
	Ⓢ II 2G EEx ib d IIC T3/T4		
	–20 °C to +50 °C		
	Li-ion	T4	
	Alkaline Duracell T4		
Alkaline Varta	T3		



[PID Function]



[Ordering Information]

10064026	SIRIUS, EX/OX, H ₂ S, PID, Li-ion*
10064025	SIRIUS, EX/OX, CO, PID, Li-ion*
10064024	SIRIUS, EX/OX, CO, H ₂ S, PID, Li-ion*
10064033	SIRIUS, EX/OX, H ₂ S, PID, Li-ion, Datalogging*
10064032	SIRIUS, EX/OX, CO, PID, Li-ion, Datalogging*
10064031	SIRIUS, EX/OX, CO, H ₂ S, PID, Li-ion, Datalogging*

*including rubber boot, shoulder strap & charger

Accessories

10049410	Vehicle charger [12 V DC]
10051980	Alkaline battery pack
10052296	Li-ion battery pack
D6203723	Sampling probe, flexible 30 cm
10040665	Sampling line, 3 m
10040664	Sampling line, 7,5 m
10053022	Calibration gas cylinder 58 l [4 gas mixture]
D0715896	Calibration gas cylinder 34 l [Isobuten]
D0715890	Pressure reducer 0,5 l/min
10045650	Calibration T-connector

SIRIUS GALAXY kits

	Basic System [Includes Power Supply]
10061875	Basic System
	Standard System [Includes Power Supply & Regulator]
10061877	Standard System
10061878	Standard System + Charging + Cylinder Holder
	Smart System [Includes Power Supply, Regulator & SD Card]
10061879	Smart System
10061880	Smart System + Charging + Cylinder Holder
	Portable System [Includes Battery Pack & Regulator]
10061881	Portable System
10061882	Portable System + SD Card + Cylinder Holder

Your direct contact

MSA EUROPE Regional Head Offices & Great Britain [www.msa-europe.com]

Northern Europe
MSA Nederland B.V., Hoorn
Phone +31 [229] 25 03 03
E-Mail info@msaned.nl

Central Europe
MSA AUER GmbH, Berlin
Phone +49 [30] 68 86-0
E-Mail info@auer.de

Eastern Europe
MSA Safety Sp. z o.o., Warsaw
Phone +48 [22] 711-50 33
E-Mail mee@msa-europe.com

Southern Europe
MSA Italiana S.p.A., Rozzano
Phone +39 [02] 89 217-1
E-Mail info-italy@msa-europe.com

International Sales
MSA EUROPE, Berlin
Phone +49 [30] 68 86-555
E-Mail contact@msa-europe.com

Great Britain
MSA [Britain] Limited, Coatbridge
Phone +44 [12 36] 42 49 66
E-Mail info@msabritain.co.uk

Subject to change without notice

ID 08-180.2 GB/04/N/04.09/HA

MSA
The Safety Company