

# F2 X-TREM

Multipurpose Rescue and Wildland Fire Helmet



## Features

High performance helmet for wildland fires and a variety of rescue missions like traffic accidents, natural disasters, USAR etc.

- Ergonomic design and functional equipment, adaptable to the variety of tasks in rescue missions
- Protection against falling and laterally impacting objects (sides, front, rear) as well perforation. High resistance against lateral deformation and exposure to elevated temperatures.
- Safe fit, comfortable also in long interventions

### Helmet shell

- Unvented or vented shell made from thermal resistant polyamide blend, coated with protective varnish for a long life time, good chemical and flame resistance.
- Interfaces for adaptation of visors, goggles, hearing protectors, communication systems, attachment of respiratory masks

### Suspension system

- Comfort headband covered with soft leather and patented ratchet quick adjustment system
- Height-adjustable headband and net suspension
- 3- point chinstrap for safe fit. Adjustable in 5 positions, with automatic buckles, flexible chincup

## Technical Data

Material helmet shell	Advanced high temperature Polyamide blend Polyurethane painting
Material inner parts	Flame retardant polyamide resins and fibres
Headsize	52-64 cm
Weight	Helmet with cradle: 650 g +/- 20g Without accessories (reflectants, goggles etc.)
Available helmet colours	Yellow, red, white, blue, green, grey, black photoluminescent, fluorescent yellow, fluorescent orange





# F2 X-TREM

Multipurpose Rescue and Wildland Fire Helmet



## Approvals

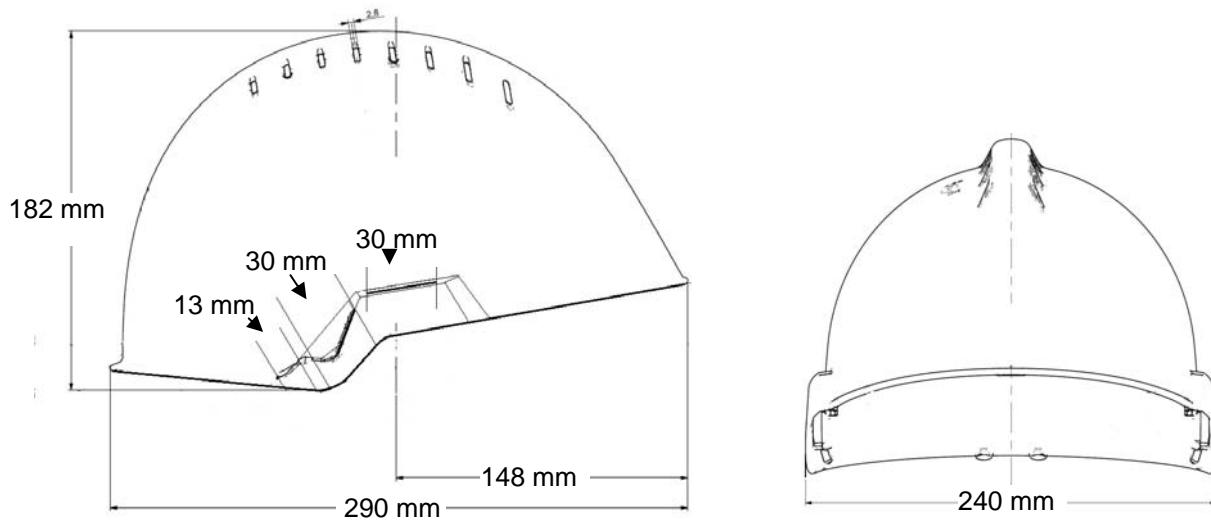
CE Marking	Application specific CE approvals as described below according to EC Directive 89/686/EWG, based on the following reference standards and requirements:
Mechanical requirements	<p><b>EN 12492:2003</b>, specifically includes at +35°C /-20°C</p> <ul style="list-style-type: none"> <li>-top, frontal, rear and lateral shocks</li> <li>-perforation</li> <li>-Effective retention system (chinstrap)</li> </ul> <p>Excludes ventilation requirement on non vented shells.</p> <p><b>EN 397:2012</b>, specifically includes at +50°C/ -30°C (optional)</p> <ul style="list-style-type: none"> <li>-shocks</li> <li>-penetration</li> <li>-lateral deformation (optional)</li> </ul>
Electrical requirements	<p>Non vented shells only:</p> <p>EN397:2012, §6.10 for</p> <ul style="list-style-type: none"> <li>-optional electrical requirements, 440V AC</li> </ul>
Flame resistance	<p>EN443:1997, §5.6.</p> <p>Additional flame resistance, 15 sec. single burner</p>

Application	Standard configuration	CE Approvals
 <p><b>Forest Fire Fighting</b></p>	<ul style="list-style-type: none"> <li>▪ Vented shell</li> <li>▪ 3-point chinstrap</li> <li>▪ Safety goggles (EN166)</li> <li>▪ Reflective stripes</li> <li>▪ Approx. 920g</li> </ul>	<p>Specific CE Marking, based on EN 12492</p> <p>EN443:1997 flame resistance [15 sec. single flame exposure]</p>
 <p><b>Wildland and High Angle Rescue</b></p>	<ul style="list-style-type: none"> <li>▪ Vented shell</li> <li>▪ 3-point chinstrap</li> <li>▪ Approx. 725g</li> </ul>	<p>CE Marking</p> <p>EN 12492</p>
 <p><b>Traffic Rescue</b></p>	<ul style="list-style-type: none"> <li>▪ Unvented shell</li> <li>▪ 3-point chinstrap</li> <li>▪ Approx. 750g</li> </ul>	<p>Specific CE Marking, based on EN 12492 (except ventilation)</p> <p>Additional electrical insulation 440VAC</p>
 <p><b>Industrial environments</b></p>	<ul style="list-style-type: none"> <li>▪ Unvented shell</li> <li>▪ No chinstrap</li> <li>▪ Optional 2-point chinstrap</li> <li>▪ Approx. 670g</li> </ul>	<p>CE marking</p> <p>EN397 incl. optional requirements</p> <ul style="list-style-type: none"> <li>▪ -30°C</li> <li>▪ Lateral deformation</li> <li>▪ Electrical insulation 440V AC</li> </ul>
<ul style="list-style-type: none"> <li>▪ Specific CE marking: Takes into consideration specific risks of applications that have no dedicated European standards (i.e. technical rescue and forest fire fighting), using applicable norms and test methods.</li> <li>▪ A 3-point chinstrap (EN12492) ensures a safe fit of the helmet in all wearing positions. Available on all versions, except EN397.</li> </ul>		

# F2 X-TREM

Multipurpose Rescue and Wildland Fire Helmet

## Dimensions



## Selected accessories



### Responder Goggle

Designed for rescue teams and forest firefighters, this high performance goggle provides advanced eye protection against a multitude of hazards, like impacts, liquid splash, smoke, heat, hot solids, dust, wind and ultraviolet radiation.

Furthermore, the optimized combination with the F2X-TREM helmet is the optimal solution for long-term interventions in all kind of rescue and forest fire fighting applications.

#### EN 166-3459-BT KN

GA3027B Responder goggle, OptiRock Premium anti-fog and anti-scratch coating

GA3027C Spare headband (10 pcs)



### Lamp XP LED

The high power Lamp XP LED provides a high penetration in heavy fume environments thanks to its unique light reflection system. It is designed for a 7 h burning time with 4 batteries and features 65 lumens with a 1 W LED.

#### ATEX Zone 0, T4

GA1464 Lamp XP LED (with batteries, without support)



### Lamp XS

The Lamp XS is a short range 0.18 W LED lamp. With its white light and 8.9 lumens it is ideal to read maps or to illuminate a working area. The Lamp XS has an extended burning time (up to 130 hours) and limited weight. It comes with adapter and lanyard.

#### ATEX Zone 0, T6

GA1466 Lamp XS (with batteries and support)



# F2 X-TREM

Multipurpose Rescue and Wildland Fire Helmet



## Visors for F2 X-TREM

For the combination with F2 X-TREM helmets two carriers and various optical class 1 visors are available. The visors are compatible with X-TREM hearing protectors.

**EN 166, EN 1731**  
(carton of 20 pcs)

SOR60020 Visor carrier to mount on F2 X-TREM with ear muffs

SOR60022 Visor carrier to mount on F2X-TREM without ear muffs

SOR60040 Clear PC visor, 20 cm (1, F, 3, 9)

SOR60041 Clear PC visor, 16 cm (1, F)

SOR60042 Clear PC visor, 10 cm (1, F)

SOR60043 Clear PC visor, 20 cm, for electric arcs (B, 3, 8, 9)

SOR60044 Clear PC visor, 23 cm, (B, 3, 9)

SOR60045 Clear PC visor, 20 cm, anti-fog/anti-scratch (F, 3, 9)

SOR60060 Metal mesh visor (S)

SOR60065 Nylon mesh visor (S)

PC = Polycarbonate

1 = Optical class 1

**Mechanical strength:**

B = 120 m/sec

S = 12 m/sec

F = 45 m/sec

**Protection against:**

3 = liquid splash

8 = short circuit electric arc

9 = molten metals and hot solids



PC Visor



Mesh Visor



## Other Options and Accessories

<p>Customization</p>			
<p>Communication systems</p>	<p>Osteo headset bone conductive</p>	<p>Micro headset with boom mic</p>	<p>Hearing protectors</p>

# F2 X-TREM

Multipurpose Rescue and Wildland Fire Helmet



Ordering Information													
Configure your individual helmet choosing from the following options:													
GA3	X	X	X	X	X	X	X	X	X	0	-	XX	YYY
Options	Type of shell	Chinstrap	Eye Protection [Goggles]	Lamp Support	Neck-curtain	Communication System	Specific Traceability [Labels and Transponder]	Options				Shell colour	Reflective stickers [Customisation]
		0 none	0 none	0 none	0 none	0 none	0 none	0 none				BA-white IM-blue JD-yellow JL- flour. Yellow NA-black NM-grey OB- flour. Orange RE-red VA-green VF-photolum.	000 none
	1 Vented	1 3-point [EN12492]	1 Classic	1 with [right]	1 Wool	2 Osteo [Headset]		1 bag					B00 silver
	2 Unvented	2 2-point [EN397]	2 Responder		2 Alu/ Nomex	3 Micro [Headset]							J00 yellow
Configurations: [equivalent old part number]													
<b>Forest Fire</b> [GA3600]	1	1	1 2	●	☆	●	●	●				0 -	mandatory
<b>Wildland Rescue</b> [GA3300]	1	1	●	☆	●	●	●	●					☆
<b>Traffic Rescue</b> [GA3500]	2	1	☆	☆	●	●	●	●					☆
<b>Industrial Risks</b> [GA3200]	2	0 2	●	●	●	●	●	●					☆
<b>Example:</b>													
<b>GA3</b>	1	1	2	1	2	0	0	0	0-			RE	B00

☆ Recommended

● Optional

DQ110018/ 07

ⓘ Please contact us for more options/ specific solutions.

Your direct contact



**MSA Europe**

Thiemannstrasse 1  
12059 Berlin  
Germany  
Phone +49 (0)30 68 86-0  
Fax +49 (0)30 68 86-15 17  
Email info.de@MSAsafety.com

**MSA International**

1000 Cranberry Woods Drive  
Cranberry Township, PA 16066  
USA  
Phone +1 412 967 33 54  
Fax +1 412 967 34 51  
Email msa.international@MSAsafety.com

